

PLEASE CHECK WWW.MOLEX.COM FOR LATEST PART INFORMATION

Part Number: [0194190002](#)
Status: **Active**
Overview: [mx150l sealed connector system](#)
Description: MX150L™ 8 Circuit Plug for 14-16 AWG Wire

Documents:

[3D Model](#) [Product Specification PS-19417-001 \(PDF\)](#)
[Drawing \(PDF\)](#) [RoHS Certificate of Compliance \(PDF\)](#)

Agency Certification

CSA LR18689
 UL E152602

General

Product Family Crimp Housings
 Series [19419](#)
 MolexKits Yes
 Overview [mx150l sealed connector system](#)
 Product Literature Order No 987650-2181
 Product Name MX150L™

Physical

Circuits (maximum) 8
 Flammability 94V-0
 Gender Male
 Glow-Wire Compliant No
 Lock to Mating Part Yes
 Number of Rows 2
 Packaging Type Bag
 Panel Mount No
 Pitch - Mating Interface (in) 0.230 In
 Pitch - Mating Interface (mm) 5.84 mm
 Polarized to Mating Part Yes
 Stackable No
 Temperature Range - Operating -40°C to +125°C

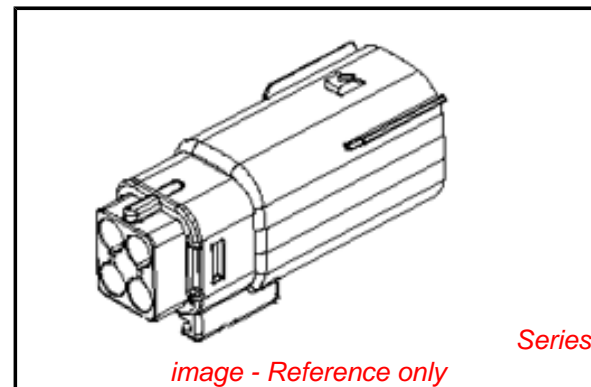
Electrical

Current - Maximum per Contact 18A

Material Info

Reference - Drawing Numbers

Application Specification AS-19417-001
 Packaging Specification PK-19419-001
 Product Specification PS-19417-001
 Sales Drawing SD-19419-003



EU RoHS

**ELV and RoHS
 Compliant**
REACH SVHC
 Not Reviewed
**Halogen-Free
 Status**
 Not Reviewed

China RoHS



**Need more information on product
 environmental compliance?**

Email productcompliance@molex.com
 For a multiple part number RoHS Certificate of
 Compliance, [click here](#)

Please visit the [Contact Us](#) section for any
 non-product compliance questions.

Search Parts in this Series

[19419Series](#)

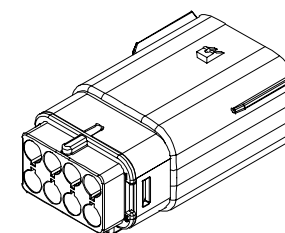
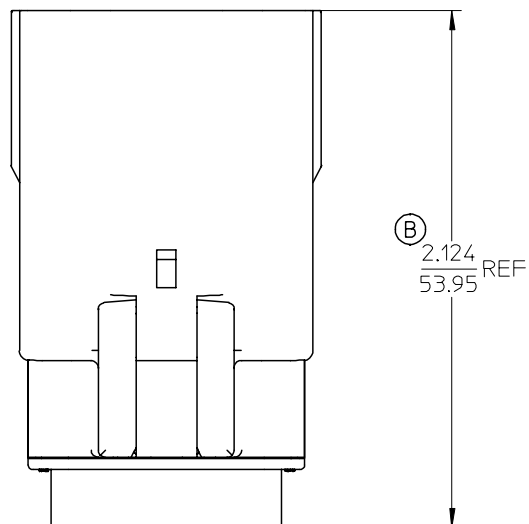
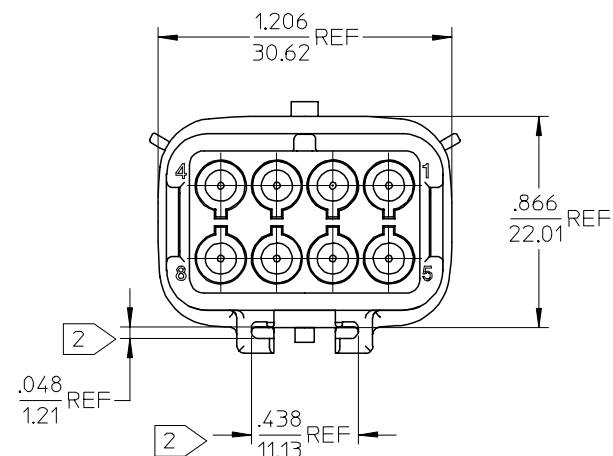
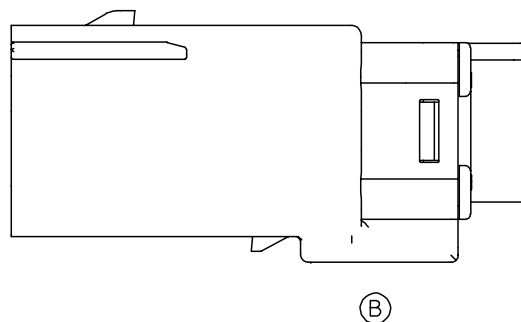
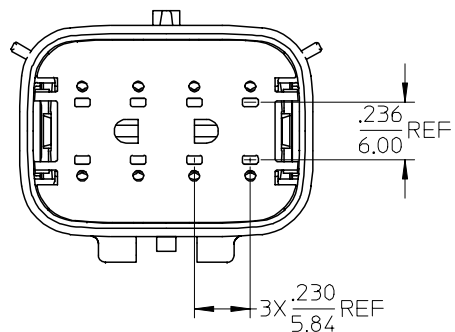
Mates With

[19418 Receptacle Assemblies](#)

Use With

[19417 Male Crimp Terminals](#)

10 9 8 7 6 5 4 3 2 19419



ASSEMBLED VIEW
SCALE 1:1

194190002	8	16-14
194190001	8	22-18
MATERIAL NUMBER	CIRCUIT SIZE	UL WIRE AWG

NOTES:

1. ASSEMBLY BULK PACKAGED PER PK-19419-001
2. MOUNTING SLOT DIMENSIONS.
3. USE CONNECTOR WITH MALE CRIMP TERMINAL: SERIES 19417.

EC NO: ETC2004-0202 DRWN:DMYRICK 2004/06/03 CHKD:JPAWLIC 2004/06/03 APPR:JPAWLIC 2004/06/03	QUALITY SYMBOLS ▽ = 0 ▽C = 0	GENERAL TOLERANCES (UNLESS SPECIFIED)		SCALE 2:1	DESIGN UNITS INCH	THIRD ANGLE PROJECTION	REVISE ON CAD ONLY
				DIMENSION STYLE IN/MM	TITLE 8 WAY PLUG ASSEMBLY		
REV B	DESCRIPTION	4 PLACES ± --- ± ---	3 PLACES ± --- ± .005	DRAWN BY B.RUPERT	DATE 12/06/02	MATERIAL NO. SEE CHART	
		2 PLACES ± 0.13 ± .01	1 PLACE ± 0.25 ± ---	CHECKED BY J.PAWLIC	DATE 12/06/02	DOCUMENT NO. SD-19419-003	SHEET NO. 1 OF 1
		ANGULAR ± 1/2°		APPROVED BY R.DEROSS	DATE 12/06/02	THIS DRAWING CONTAINS INFORMATION THAT IS PROPRIETARY TO MOLEX INCORPORATED AND SHOULD NOT BE USED WITHOUT WRITTEN PERMISSION	
		DRAFT WHERE APPLICABLE					
		MUST REMAIN WITHIN DIMENSIONS					

8 7 6 5 4 3 2 1